

SB325_X METER/SB325_X METER CAR

FEATURES

- HEAVY DUTY
- VERSATILE
- BUILT-IN TURBINE METER
- BREAK-AWAY SYSTEM
- MULTI-FUNCTIONAL DISPLAY
- SPECIFIC SPOUT FOR CARS/ LIGHT COMMERCIAL VEHICLES
- EASY AND PRACTICAL

The PIUSI SB325_X METER and SB325_X METER CAR are the **patented automatic metered nozzles by PIUSI for AdBlue®**. They are engineered according to ISO/ FDIS 22241-4:2009 and composed by an innovative technopolymer casing, a break-away system, a stainless steel spout and the K24 meter with 1% accuracy.

The SB325_X METER CAR has a different shape compared to SB325_X METER and is 2,4 cm shorter, this to allow a better usability and performance in the car/ commercial vehicle sector. SB325_X METER CAR is compatible with all PIUSI AdBlue® pumps. Use with pumps other than the PIUSI range must be subject to prior verification of the system's flow rate.

PERFORMANCE

±1%
ACCURACY

SB325_X METER

UP TO
45 L/MIN
FLOW RATE

3,5 BAR
MAX
OPERATING PRESSURE

SB325_X METER CAR

5-27 L/MIN
FLOW RATE

3 BAR
MAX
OPERATING PRESSURE

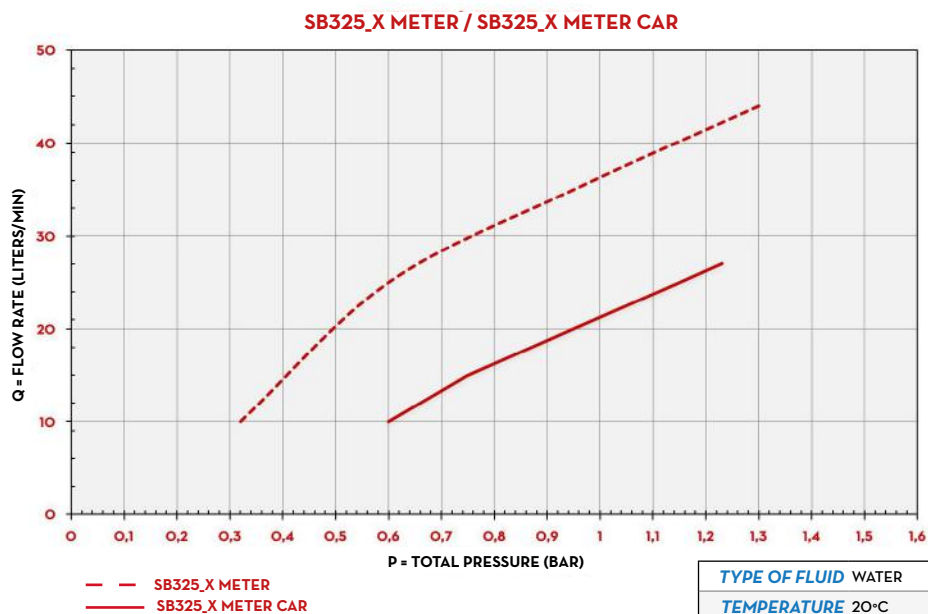


PACKAGING

CODE	WEIGHT		PACKAGING		
	KG	LBS	MM	INCH	PEZZI/BOX
FOO61701A	1,0	2,2	447X178X63	17,6X7X2,5	1
FOO61722O	1,2	2,6	450X180X90	17,7X7X3,5	1



CHART



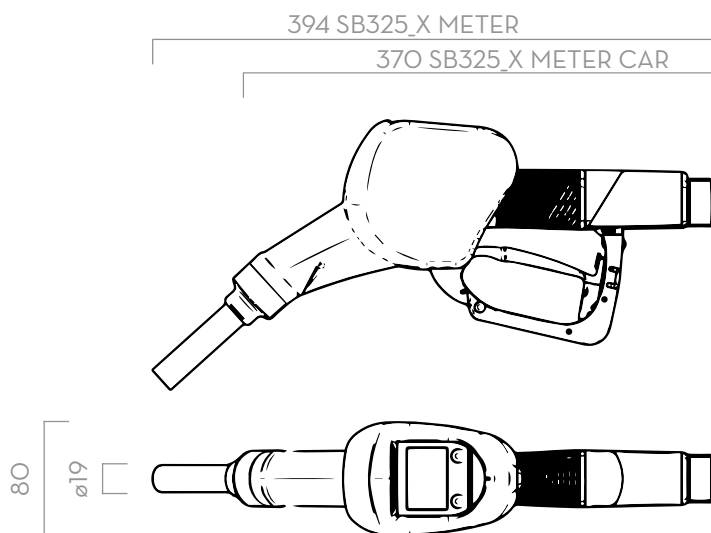
IN THE BOX

- SB325_X METER / SB325_X METER CAR NOZZLE
- INSTRUCTION MANUAL

DETAILS



DIMENSIONS



Dimensions expressed in millimeters

MATERIALS

- SPOUT: STAINLESS STEEL
- BODY: TECHNOPOLYMER

TECHNICAL DATA

CODE	DESCRIPTION	FLUIDS TYPE	FLOW RATE		MAGNETIC ADAPTOR	METER	PRESSURE	INLET	SWIVEL	SPOUT
			L/MIN	GPM						
FOO61701A	AUTOMATIC NOZZLE SB325_X METER		45	12	NO	YES	3,5	3/4"	YES	19 MM
NEW FOO61722O	AUTOMATIC NOZZLE SB325_X METER CAR		27	7	NO	YES	3	3/4"	YES	19 MM