



FUEL MANAGEMENT SYSTEMS



DISPENSERS



KITS



PUMPS



METERS



NOZZLES

# PIUSI 3000 SUPREME B.SMART

## FEATURES

- VOLTAGE FROM 12 TO 24V\*
- BLUETOOTH CONNECTION
- TOTAL CONTROL VIA APP
- VIBRATION RESISTANCE
- LOW NOISE
- COMPATIBLE WITH DIESEL UP TO B20 - HVO/XTL
- MAX. PRESSURE 1,5 BAR
- IP55

Piusi 3000 Supreme B.SMART represents a breakthrough in transportable tanks, combining safety, efficiency and management. Thanks to its cutting-edge technology and full integration with the Fuel Management System B.SMART, Piusi 3000 Supreme B.SMART gives users the ability to control every aspect of their dispensing and fleet operations, enabling them to achieve unprecedented levels of performance and reliability.

If you aim for maximum efficiency and safety for your transportable tanks, Piusi 3000 Supreme B.SMART is the best choice.

### PERFORMANCE

UP TO <b>50 L/MIN</b>	FROM <b>12V TO 24V*</b>
FLOW RATE	VOLTAGE
CONTINUOUS DUTY	<b>±0,5%</b>
DUTY CYCLE	ACCURACY

\* The Piusi 3000 Supreme does not have the ability to monitor the battery and does not provide any type of protection for it.



### PACKAGING

CODE	WEIGHT		PACKAGING		
	KG	LBS	MM	INCH	PCS/BOX
FO025IH00	5,4	11,9	270X190X180	-	1
FO025IV00	5,4	11,9	270X190X180	-	1
FO025ID00	7,4	16,3	300X300X180	-	1
FO025IK00	10	22	490X390X310	-	1
FO025ID10	11,5	25,3	490X390X310	-	1



FILTRATION



TANK MONITORING



HOSE REEL



ACCESSORIES



MERCHANDISE



ANY BIODIESEL



AIR



ANTIFREEZE



AdBlue®



BIODIESEL



DIESEL



FOOD



GASOLINE



GREASE



KEROSENE



OIL



WATER



WINDSCREEN

**IN THE BOX FOR FOLLOWING CONFIGURATIONS:**

<b>BASE BRACKET KIT</b>			DELIVERY HOSE AUTOM. NOZZLE A60 + HOOK BASE BRACKET
FOO251KOO		+	
<b>2" DIRECT MOUNT KIT</b>			DELIVERY HOSE AUTOM. NOZZLE A60 + HOOK NOZZLE HOLDER DRUM CONNECTOR 2" OIL & FUEL FILTER
FOO251D1O	PUMP ELECTRIC CABLE 4M ACCESS KEY (1PZ) INSTRUCTION MANUAL	+	
<b>PUMP ONLY DRUM</b>			
FOO251DOO		+	NOZZLE HOLDER DRUM CONNECTOR 2" OIL & FUEL FILTER
<b>PUMP ONLY B.O. &amp; PUMP ONLY B.V.</b>			
FOO251HOO FOO251VOO		+	BASE BRACKET

**WEB APP**



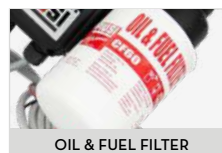
**DETAILS**



BENDING PROTECTION



ELECTRIC CABLE



OIL & FUEL FILTER



AUTOMATIC NOZZLE A60

**MATERIALS**

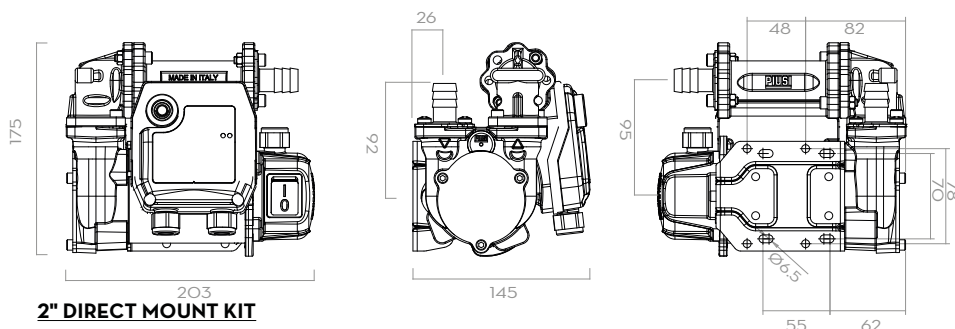
- BODY: CAST IRON
- ROTOR: SINTERED STEEL
- VANES: ACETAL RESIN
- SEAL: NBR
- SHAFT: STEEL

**ACCESSORIES**

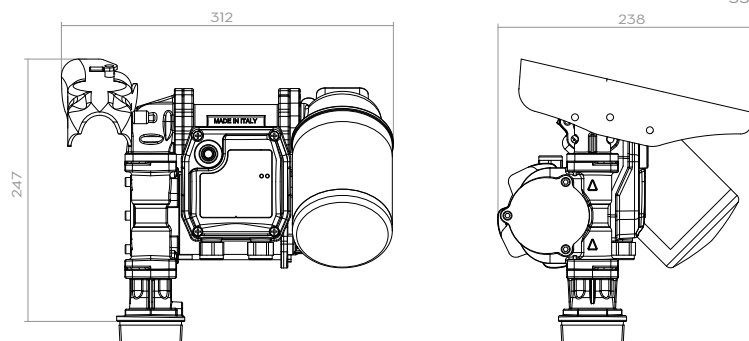
- AUTOMATIC NOZZLE A60 + HOOK  
COD. FOO603S00 (2" DIRECT MOUNT KIT)
- AUTOMATIC NOZZLE A60 COD. FOO603060  
(BASE BRACKET KIT)
- DIESEL HOSE 4M (COD. F24103000)

**DIMENSIONS**

**BASE BRACKET KIT**



**2" DIRECT MOUNT KIT**



Dimensions expressed in millimeters

**TECHNICAL DATA**

CODE	DESCRIPTION	FLUIDS TYPE	FLOW RATE		VOLTAGE			RPM	DUTY CYCLE CONTINUOUS	FUSES CAPACITY AMPERE	HOSE		DIRT FILTER	NOZZLE
			L/MIN	GPM	DC VOLT	POWER WATT	AMP. MAX.				LENG.	Ø		
FOO251HOO	PIUSI 3000 SUPREME PUMP ONLY B.O.	D	50	13	FROM 12 TO 24	200W	16A/8A	2700	YES	25A	-	-	-	-
FOO251VOO	PIUSI 3000 SUPREME PUMP ONLY B.V.	D	50	13	FROM 12 TO 24	200W	16A/8A	2700	YES	25A	-	-	-	-
FOO251DOO	PIUSI 3000 SUPREME PUMP ONLY DRUM	D	50	13	FROM 12 TO 24	200W	16A/8A	2700	YES	25A	-	-	YES	-
FOO251KOO	PIUSI 3000 SUPREME BASE BRACKET KIT	D	50	13	FROM 12 TO 24	200W	16A/8A	2700	YES	25A	4MT	3/4"	-	A60
FOO251D1O	PIUSI 3000 SUPREME 2" DIRECT MOUNT KIT	D	50	13	FROM 12 TO 24	200W	16A/8A	2700	YES	25A	4MT	3/4"	YES	A60