



FUEL MANAGEMENT SYSTEMS



DISPENSERS



KITS



PUMPS



METERS



NOZZLES

# E300

## FEATURES

- HIGH-FLOW PUMP
- STURDY STRUCTURE
- HEAVY DUTY APPLICATION
- IP55

The PIUSI E300 is an electric pump with open impeller suitable for all applications in which high-flows are required. Thus, it is the ideal equipment for topping up and transferring diesel from drums. It comes with an incorporated check valve in the suction port to prevent the siphon effect while ensuring automatic re-priming.

### PERFORMANCE

UP TO

**500 L/MIN**

FLOW RATE

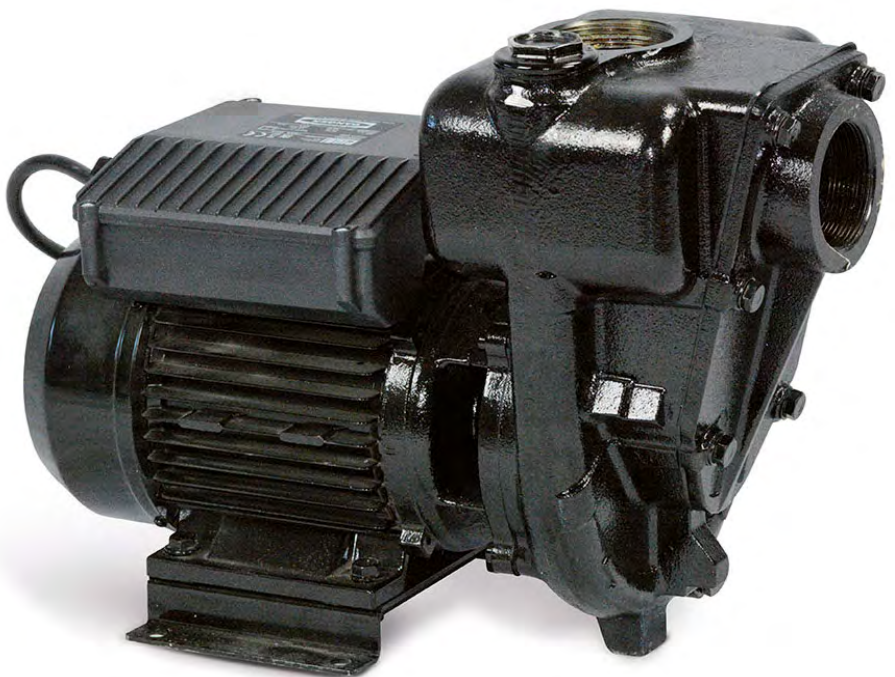
**AC**

**CONTINUOUS DUTY**

POWER

**1,7 BAR**

MAX. PRESSURE



E300



### PACKAGING

CODE	WEIGHT		PACKAGING		
	KG	LBS	MM	INCH	PCS/BOX
FO0321000	27	59	220X420X330	8,7X16,5X13	1



FILTRATION



TANK MONITORING



HOSE REEL



ACCESSORIES



MERCHANDISE

# PIUSI

BIS

ANY BIODIESEL

A

AIR

A

ANTIFREEZE

Ad

AdBlue®

B

BIODIESEL

D

DIESEL

F

FOOD

G

GASOLINE

G

GREASE

K

KEROSENE

O

OIL

W

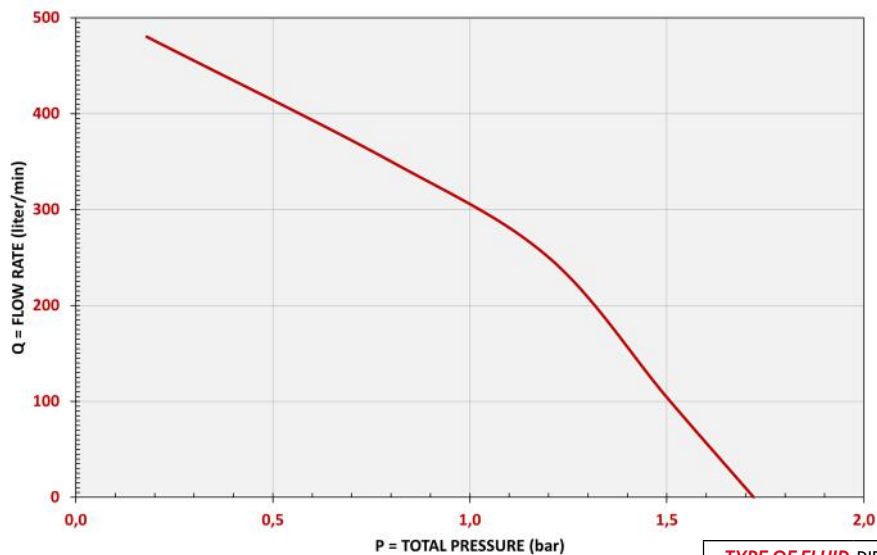
WATER

W

WINDSCREEN

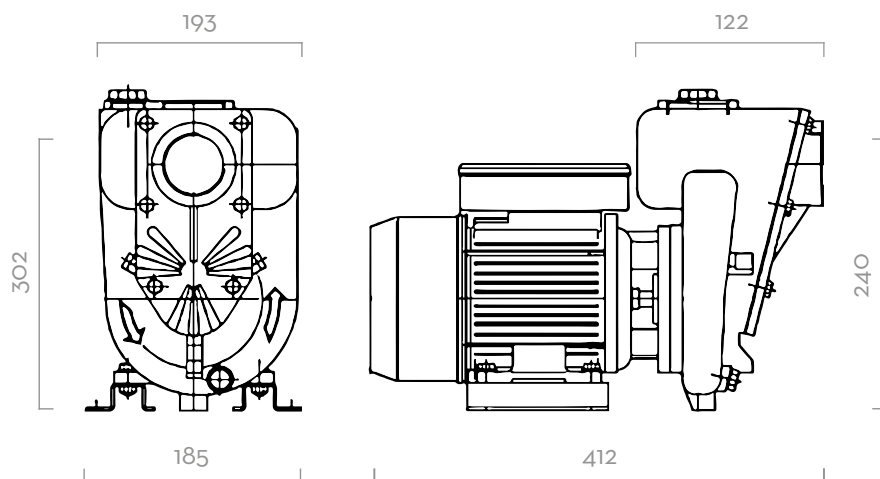
### CHART

E300



TYPE OF FLUID DIESEL  
 TEMPERATURE 10°C

### DIMENSIONS



Dimensions expressed in millimeters

### IN THE BOX

- E300 PUMP
- INSTRUCTION MANUAL

### DETAILS



OPEN IMPELLER



2" IN/OUT CONNECTIONS



STEADY SUPPORT

### MATERIALS

- BODY: CAST IRON
- OPEN IMPELLER: CAST IRON
- SEAL: VITON
- SHAFT: STEEL

### TECHNICAL DATA

CODE	DESCRIPTION	FLUIDS TYPE	FLOW RATE		VOLTAGE			RPM	INLET/OUTLET
			L/MIN	GPM	AC VOLT/HZ	POWER WATT	AMP. MAX.		BSP
FO0321000	E 300	D	500	130	230/50	1500	9,5 A	2580	2"